

# SPECIFICATION

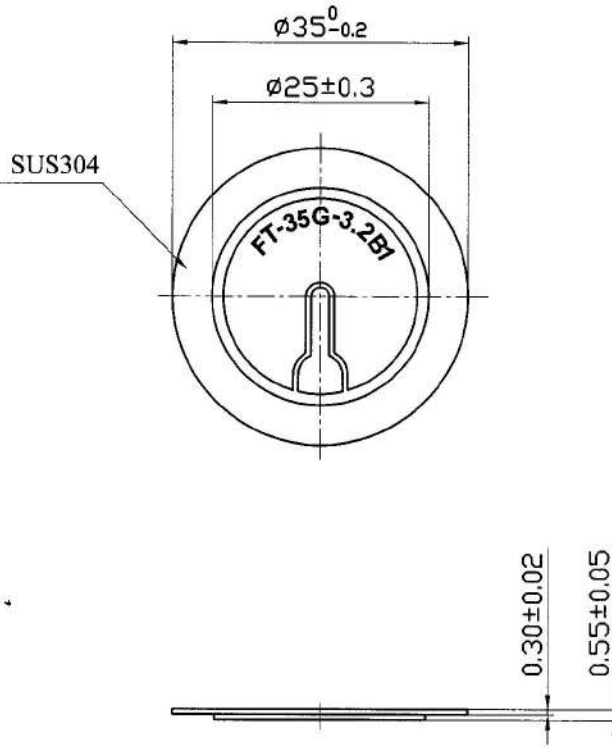
## 1. SCOPE

This specification is applied to the piezoelectric diaphragm.

## 2. SPECIFICATION

(at 25°C)

2.1 Resonant Frequency	:	3.2±0.3 KHz
2.2 Resonant Resistance	:	200 Ω max
2.3 Capacitance	:	32000 pF±30% at 100Hz
2.4 Input Voltage	:	30 Vp-p max
2.5 Operating Temperature	:	-20~+50°C
2.6 Storage Temperature	:	-20~+60°C
3 DIMENSION	:	as per figure



TOLERANCES UNLESS NOTED OTHERWISE .X ± .XX ± .XXX ± 90° FORMED +2° ANGLES -1°  FIRST ANGLE PROJECTION 	DRAWN	江 迅	KEPO MODEL NO.	CUSTOMER QUARTZ				
	DESIGN		FT-35G-3.2B1	CUSTOMER NO.				
	CHECKED			VER 1.1 SCALE				
	APPROVED	江 迅	DWG NO.		UNIT mm SHEET			
	DATE	08.02.26	OEM2942		TEL: (+86)574-88370330 FAX: (+86)574-88370329			
	CONTRACT NO.		KEPO CO., LTD.					
AGENCY APPROVAL								

1

2

3

4